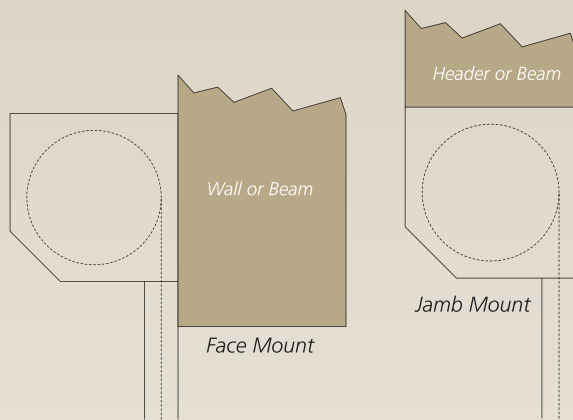


## Fits your Home and Lifestyle

The H5000 can attach to either the interior or exterior of your home mounting to the wall or beam above an opening (Face Mount) or to the bottom side of the header or beam inside the opening (Jamb Mount).



- ✔ 4 standard colors: Silver, Beige, White or Brown
- ✔ Custom colors available
- ✔ Operated conveniently by a handheld or wall mounted remote control
- ✔ Optional wind and sun sensors automatically activate the screen as desired
- ✔ Extensive variety of mesh options:

Insect Mesh	Heavy duty charcoal	
Solar Mesh	11 mesh & color options	UV Blockage: 88%
Privacy Mesh	8 mesh & color options	UV Blockage: 95%

## Also by Mirage

### Mirage Retractable Screens

Unlike traditional swinging screen doors, the Mirage retractable screen is only across your door opening when you need it to be. Mirage allows maximum airflow through your door and window openings. Superior quality and custom made for your home!



### Mirage H2800, Horizontal Screen System

Affordable comfort by providing protection from flying insects and sun shading, within reach of most home budgets. Imagine

enjoying your outdoor space more often and increasing your relaxation by simply adding the Mirage H2800 screening solution. Available in both motorized and manual versions.

Visit [www.miragescreensystems.com](http://www.miragescreensystems.com) for details on all of our screening products or to find your local, authorized dealer.

### Your Local Mirage Dealer

Mirage retractable screens are sold, installed and serviced by locally owned and operated businesses in your community. You can be assured of a quality installation from a dealer with a proven record and roots in your community.

Product may not be available in all areas. Dealer opportunities available.

Your authorized *Mirage* dealer



Toll Free 1.855.488.7655  
[www.miragescreensystems.com](http://www.miragescreensystems.com)

Part #9927 V01 Printed in Canada

# Mirage®

Horizon 5000



[www.miragescreensystems.com](http://www.miragescreensystems.com)



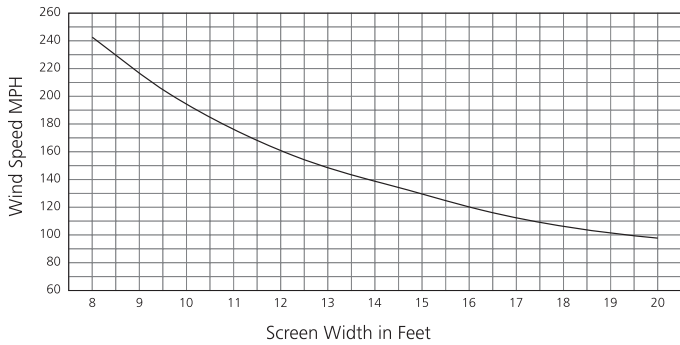
## Looking to Screen a Large Opening?

The Mirage Horizon 5000 has what you're looking for!

With its 5" cassette and side retention system, this versatile and robust system can screen openings up to 19'6" in width and 14' in height. Whether you are looking for protection from annoying flying insects, shelter from the sun or simply an oasis from the wind, the H5000 can provide it all.

- ✓ Keep your recreational space or garage free from flying insects
- ✓ Cool and shade your patio and interior rooms from the sun
- ✓ Reduce the cost of heating and cooling your home
- ✓ Reduce wind in recreational areas
- ✓ Provide privacy from street views and neighbors

Blow Out Wind Speed for the H5000



Note: this data applies to screens measuring 12' in height

## Applications

- ✓ Garages
- ✓ Porches
- ✓ Lanais
- ✓ Retractable walls
- ✓ Balconies
- ✓ Pool cages
- ✓ Shading
- ✓ Access control
- ✓ Outdoor gathering areas

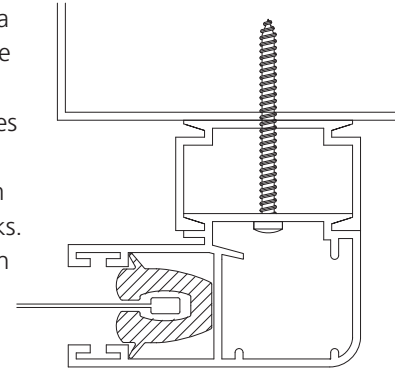
For more detailed product information, and to view our photo gallery, please visit [www.miragescreensystems.com](http://www.miragescreensystems.com).

## Why choose a Mirage?

- ✓ Heavy duty, extruded components
- ✓ Brush sealing weight bar - superior seal against grout lines, pavers and uneven surfaces
- ✓ Appears and stows away remotely at the touch of a button
- ✓ Fabrics and colors to suit your decor
- ✓ Low maintenance
- ✓ Recognized leader of motors and controls (Somfy)
- ✓ Sold, installed and serviced by local dealers with roots in your community
- ✓ Attaches to a standard 110v power outlet
- ✓ Proudly made in North America

## Side Retention System

This illustration shows a cross section of the side retention system. The system retains the edges of the screen's mesh, keeping the mesh from blowing out of its tracks. It also allows the screen to act as a block, reducing the affects of wind in your screened area when in use.



Increase the comfort of your home, inside and out ... at the touch of a button.